



City of Baker City, Oregon
 Public Works Department
 Baker City Hall
 1655 First Street • P.O. Box 650
 Baker City, Oregon 97814
 Phone: (541) 524-2047
 Fax: (541) 524-2029

Permit No.	_____
Applicant	_____
Approved by	_____
Date	_____
Fee	No Charge

TREE PERMIT
 APPLICATION FOR STREET TREE PLANTING AND REMOVAL
 BAKER CITY CODE CHAPTER 94

1. Property Owner Name: _____
 Street Address: _____
 Mailing Address (if different than above): _____
 City: _____ State: ____ Zip: _____ Phone: (____) _____

2. Location of tree(s) requested to be: Removed Planted

3. Species of tree(s) to be: Removed Planted

4. If removing tree(s), reason for removal: _____

5. Are there any overhead power lines at this location? No Yes

6. If removing, date you would like to remove tree(s)? _____/_____/_____

7. If removing tree(s), please describe the kind of tree(s) you plan to plant to replace the tree(s) you are proposing to remove (species, size and height at maturity):

Replacement trees are required to be planted during the spring or fall months directly following the tree removal.

If you are planting a tree, please attach a photo of the planting area or provide an illustration below. This illustration should include measurements of the planting area, the proposed distance between trees, the distance from the new tree to the driveway or corner (if applicable), etc.

Example:

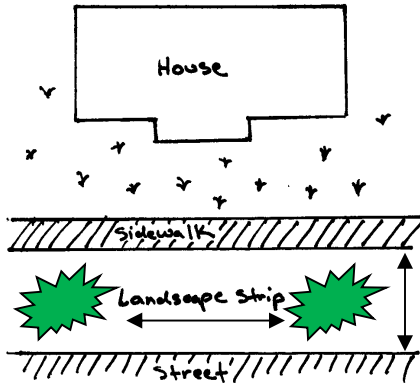
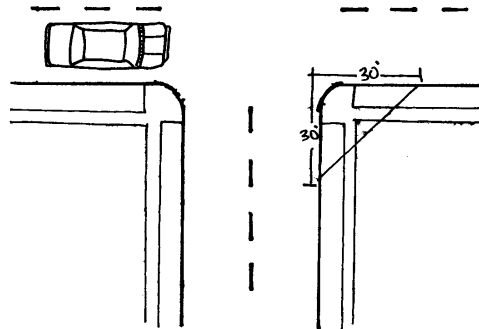


Illustration:

Please also consider the following code language regarding vision clearance (Section 3.1.200(N) of the Baker City Development Code: No visual obstruction (sign, structure, solid fence, or vegetation) between 2 feet and 8 feet in height shall be placed in the “vision clearance areas” on streets, driveways, alleys or mid-block lanes where no traffic control stop sign or signal is provided, as shown below.

The minimum vision clearance area may be modified by the City Engineer upon finding that less sight distance is required (due to traffic speeds, roadway alignment, etc.). This standard does not apply to light standards, utility poles, tree trunks and similar objects.



Signature of Applicant

Date

Issued By: _____

Date

Please Return to: Baker Public Works Department, P.O. Box 650, Baker City, OR 97814